




## Carrello CRL-5515 Bravo Plus Instruction Manual

[Home](#) » [Carrello](#) » Carrello CRL-5515 Bravo Plus Instruction Manual 

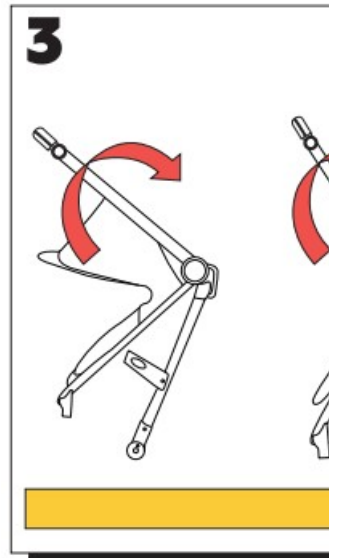
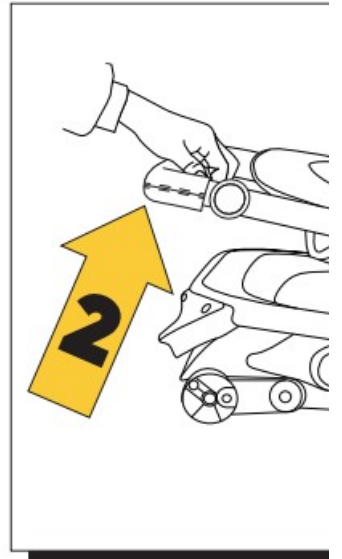
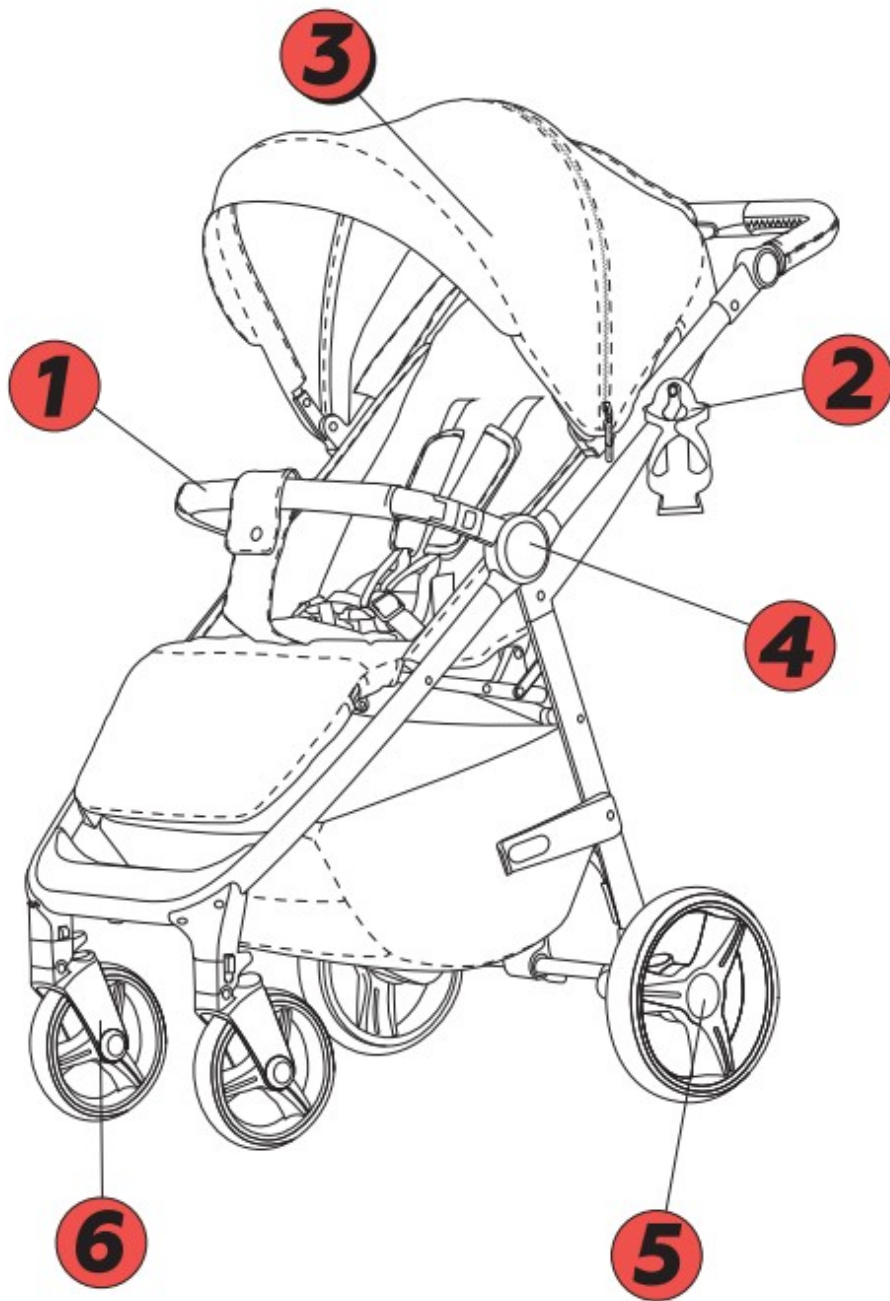
# carrello

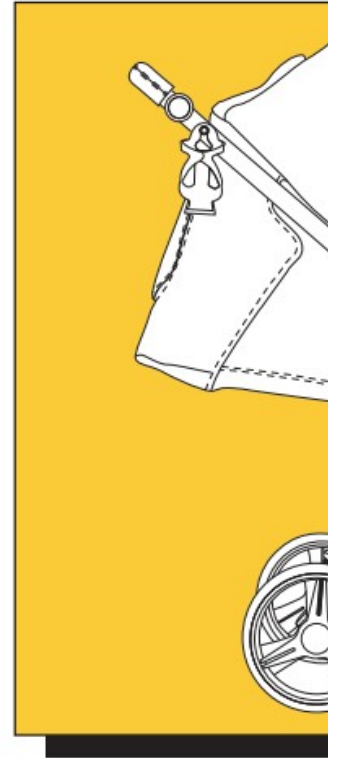
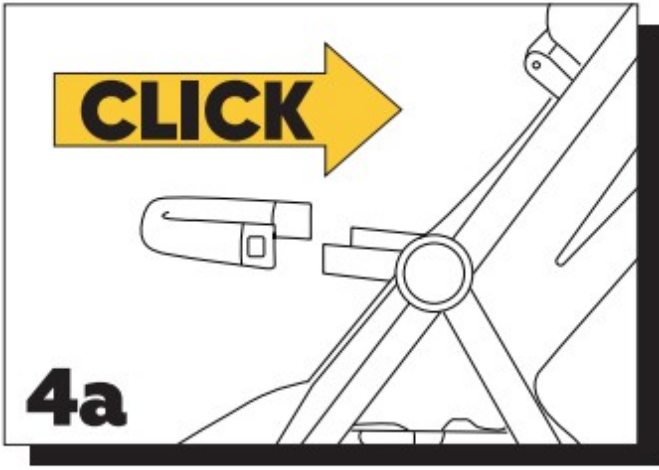
CRL-5515 Bravo Plus  
Instruction Manual

### Contents

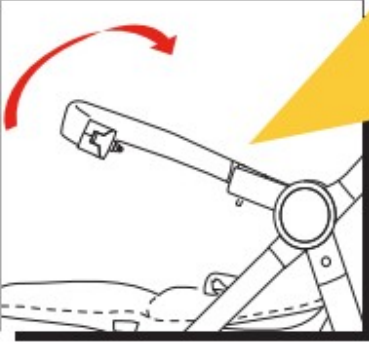
- [1 CRL-5515 Bravo Plus](#)
- [2 Parts list \(option\):](#)
- [3 Open the stroller:](#)
- [4 Function:](#)
- [5 Fold the stroller:](#)
- [6 Use the safety belt:](#)
- [7 Warning:](#)
- [8 Documents / Resources](#)
  - [8.1 References](#)

**CRL-5515 Bravo Plus**

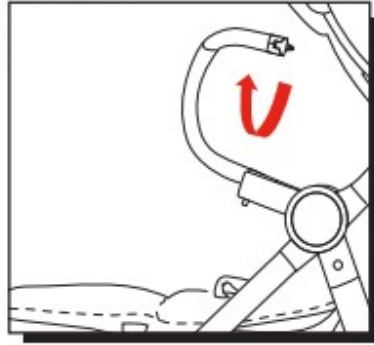




**7a**



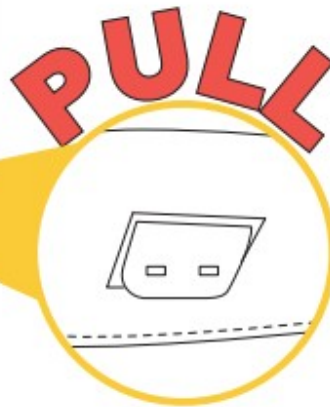
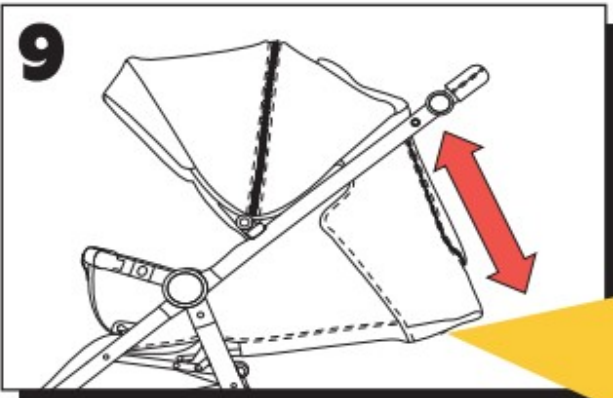
**7b**



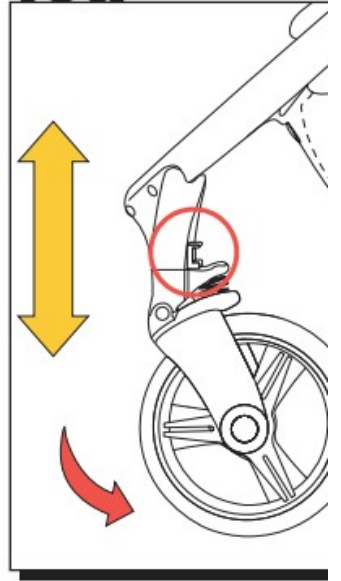
**8**



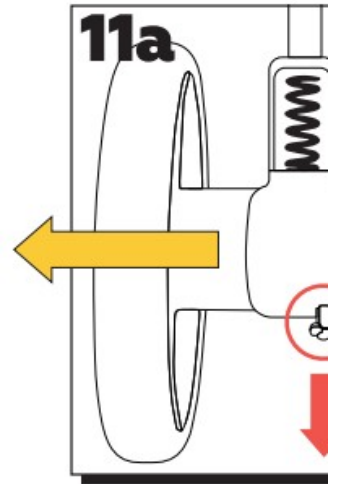
**9**

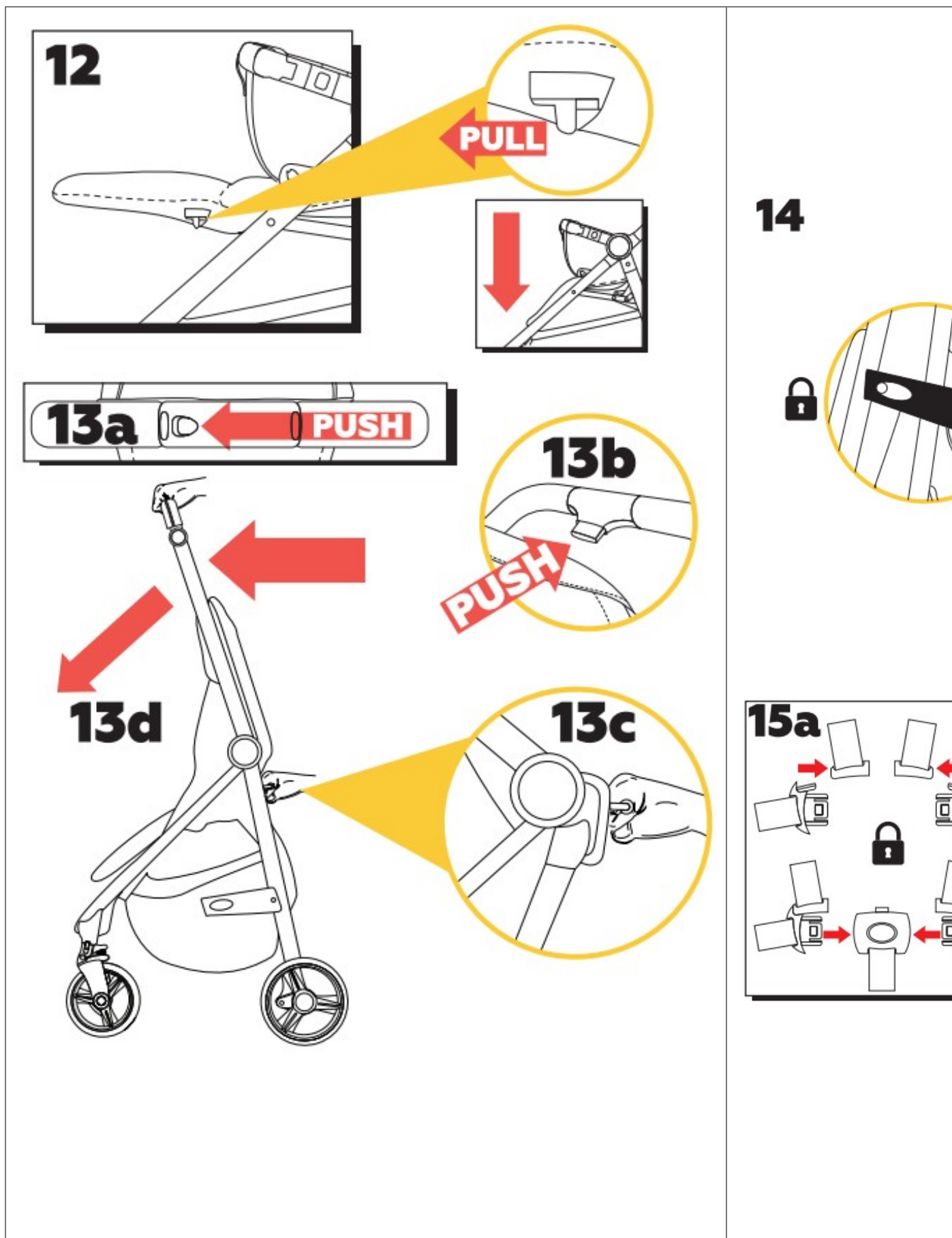


**10a**



**11a**





**Parts list (option):**

1. BUMPER – 1pc
2. CUP HOLDER – 1 pe
3. CANOPY – 1 pe

4. FRAME – 1 pc
5. REAR WHEELS – 2 pcs
6. FRONT WHEELS – 2 pcs

### **Open the stroller:**

1. Unhook the latch on the outside of the stroller as shown in fig. 2, while pulling the handle with your other hand to unfold the stroller.
  2. Push the lock to the outside of the stroller as pic 2, and at the same time pull up the handle with the other hand to unfold the stroller.
  3. When the stroller is opened as pic 3, you should hear “click” sounds on both side of the stroller, please examine if the stroller is locked in safety position before you use it.
  - 4a. Insert the bumper on both sides of the seat as picture 4a.
- Note:** please make sure to lock the bumper in place when you heard a “click” sound.
- Ab. Insert the hood plastic into the seat as pic 4b.
  - 5a. Take out the front wheels, insert the vertical shaft into the plastic hole on the wheel seat as pic 5a, until it is locked, install the other side of the front wheel in the same way
  - 5b. Take one side of rear wheels, Insert the rear axle into the plastic hole as picture 5b, until it is locked, install the other side of the rear wheel in the same way.
  6. Assembled all the parts of the stroller.

### **Function:**

- 7a. Rotate the front bumper from left to right.
  - 7b. Rotate the front bumper up and down.
  8. Open or close the canopy as pic 8 indicate.
  9. Pull the back rest lock, and at the same time to adjust the angle of the back rest.
  - 10a. Lift up the plastic button on the front wheels to lock it not rotated at 360 degree, press down the plastic button to release it can be rotated at 360 degree as the arrow in the pic 10a.
  - 10b. Disassemble the front wheels, press the small metal pins as arrow 10b, at the same time use your hand to pull out the front wheel as arrow indicated to finish disassemble.
  - 11a. Pull the rear wheel express iron as arrow down indicated, remove the rear wheel in the direction of arrow left then finish the disassemble.
  - 11b. Step down the brake pedal to brake the stroller, lift up the pedal to release the brake as pic. 11b.
- Warning: Always lock the brake when put or carry a child!
12. Pull the button as arrow in the pic 12 to adjust the footrest in 3 position.

### **Fold the stroller:**

13. Press the second lock and at the same time press the folding button on the handle as pic 13b indicated to unlock the stroller then push the handle forward with slightly strength with your other hand handle the folding tube under the seat as pic 13d indicated, pull the stroller up by holding the folding tube under the seat as pic 13c indicated to fold the stroller.
14. After the stroller is fully folded the folding lock locked automatically, lift the stroller up to finish the folding.

### **Use the safety belt:**

15. Click the buckle to lock the safety belt on both sides as 15a.
- Press the middle button to release the safety button as 15b.
- You can adjust the length of the seat belt by pulling the safety buckle on both sides as needed 15c.

### **Warning:**

**WARNING:** Always lock the brake when put or carry a child!  
**WARNING:** Leaving the baby without care may cause a danger !  
**WARNING:** Use the braces when the baby begins to sit at his own!  
**WARNING:** Before use be sure that the assembling mechanisms are blocked!  
**WARNING:** Always use the crotch belt together with the help belt!  
**WARNING:** Every load handing on the handle affects its stability!  
**WARNING:** This product is not designated to go rotler blades or to run!  
**WARNING:** This stroller is indented to bear only one baby!  
**WARNING:** This stroller is designated for the babies up to 6-48 months and weight 22kg!  
**WARNING:** Do not leave the stroller with a baby on the slope, even if the brake is locked!  
**WARNING:** Do not use the stroller, if any component is damaged!  
**WARNING:** During the assembling and disassembling the stroller, be sure that the baby is at the safe distance!  
**WARNING:** Making any adjustments, make sure that the movable parts are not close to the baby's body!  
**WARNING:** Always lock the brake when stops!  
**WARNING:** Maximum load of basket is 3 kg!  
**WARNING:** Maximum load of bag is 2 kg!  
**WARNING:** Every bag or other load handing on the handle affects its stability!  
**WARNING:** Only the original parts, confirmed by the producer should be used in this product!  
**WARNING:** Driving on the pavement or any other step the front axle should be lifted!  
**WARNING:** Do not drive the stroller through the stairs!  
**WARNING:** The stroller should be kept away from babies!



---

## Documents / Resources

carrello	<a href="#">Carrello CRL-5515 Bravo Plus</a> [pdf] Instruction Manual CRL-5515 Bravo Plus, CRL-5515, Bravo Plus, Plus
----------	--

## References

- [User Manual](#)