




## carrello Delta CRL-5517 Walking Stroller Instruction Manual

[Home](#) » [Carrello](#) » [carrello Delta CRL-5517 Walking Stroller Instruction Manual](#) 

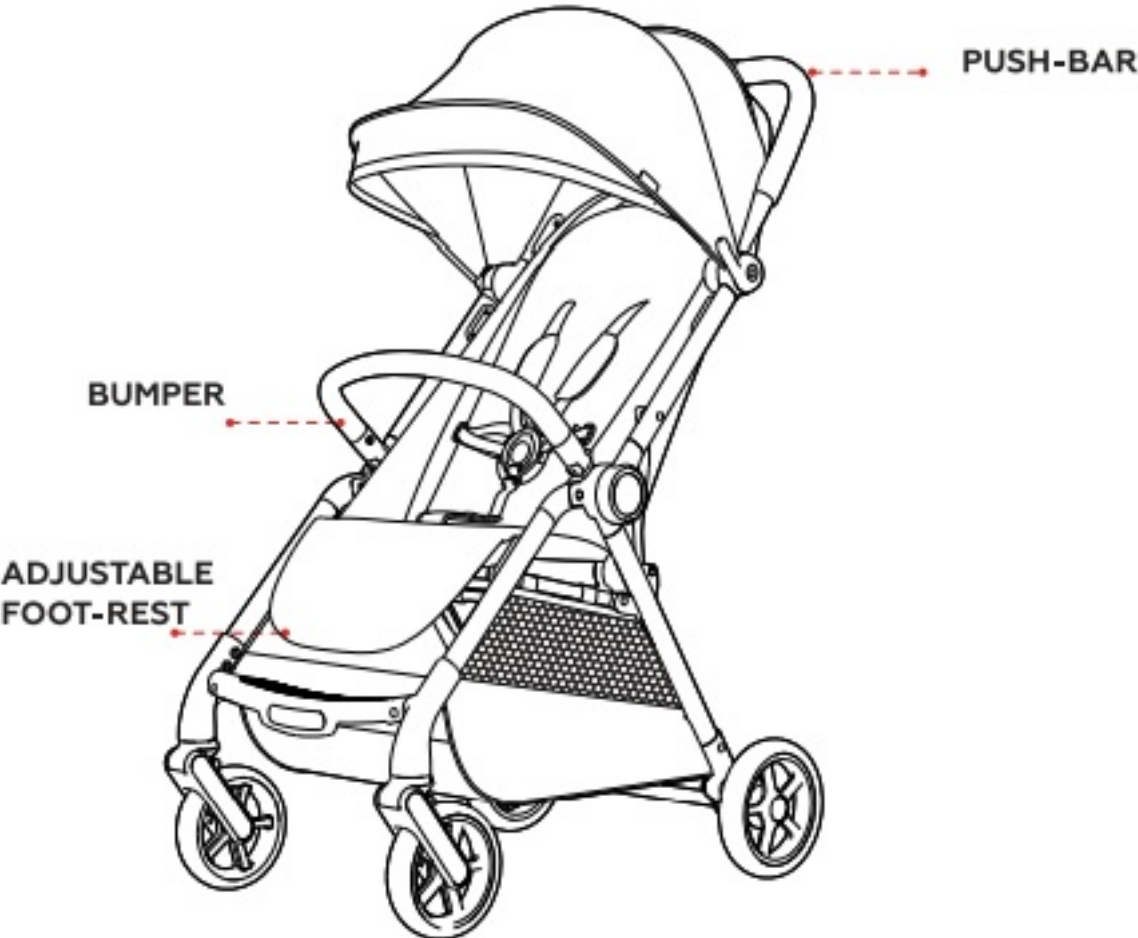
**Carrello Delta CRL-5517 Walking Stroller**



## Contents

- [1 Product Description](#)
- [2 What is in The Box](#)
- [3 Assembly Instruction](#)
- [4 Documents / Resources](#)
  - [4.1 References](#)
- [5 Related Posts](#)

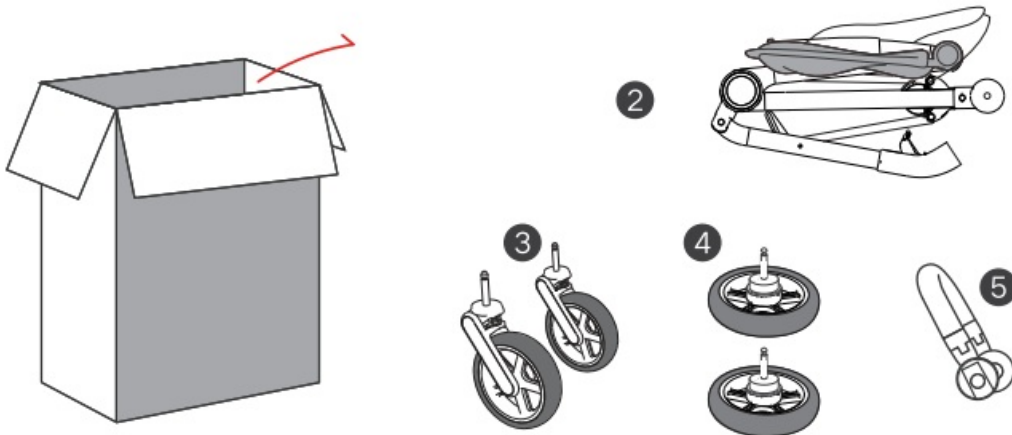
**Product Description**





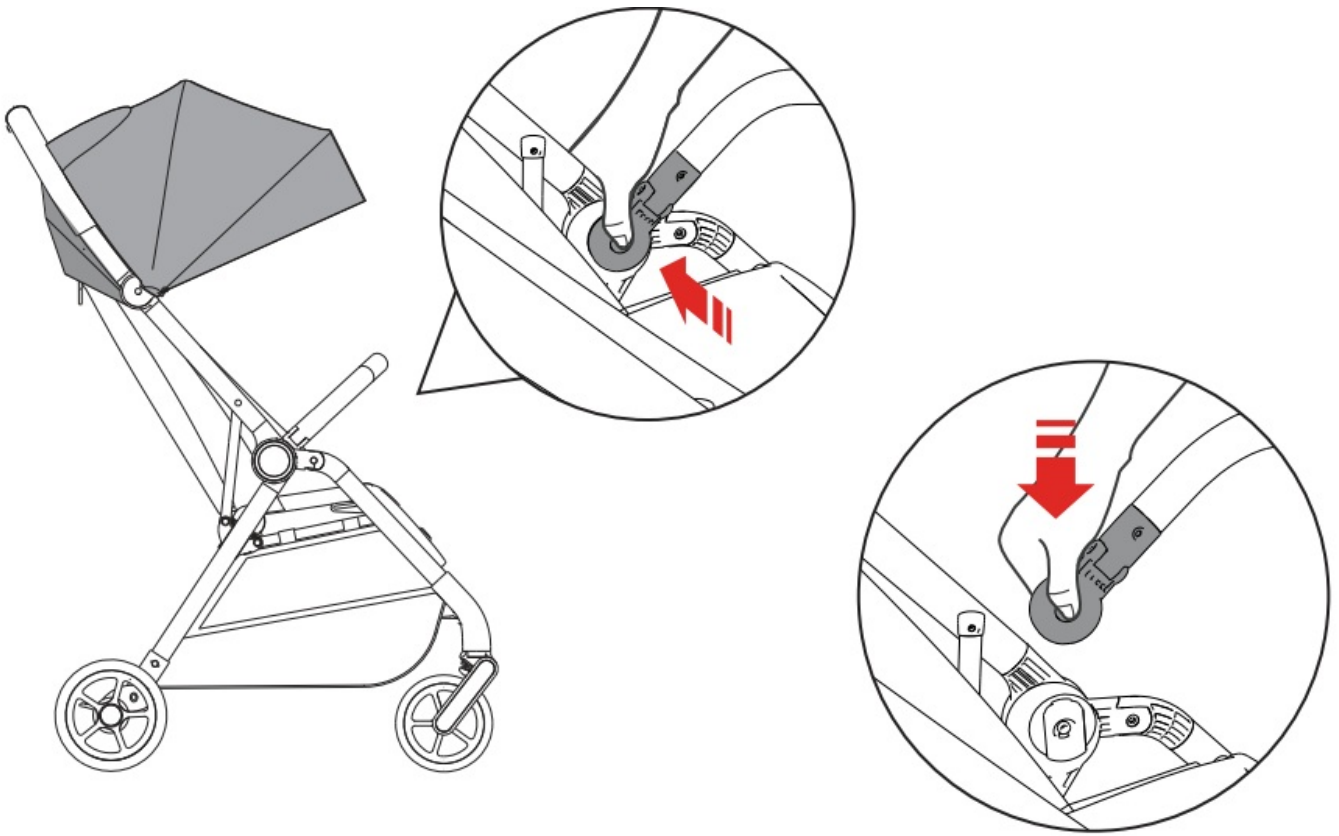
## What is in The Box

### UNPACKING AND ASSEMBLY THE STROLLER

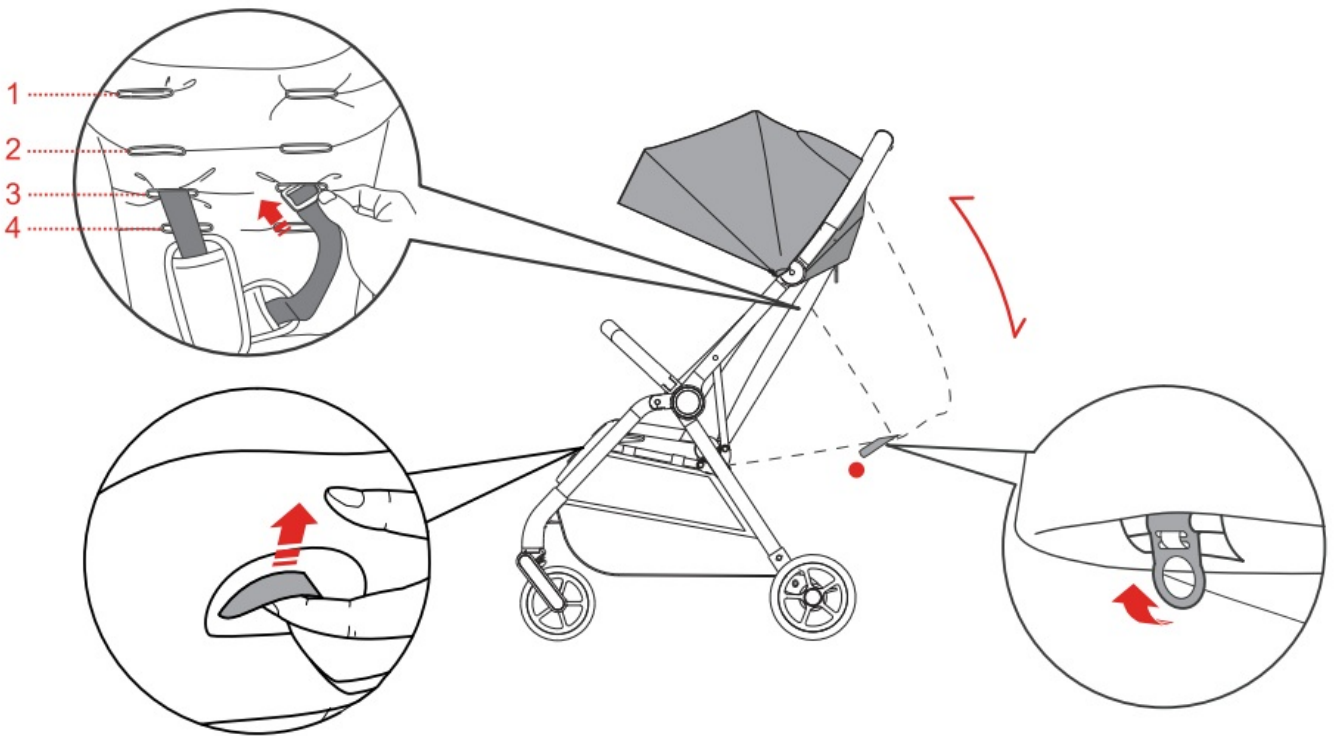




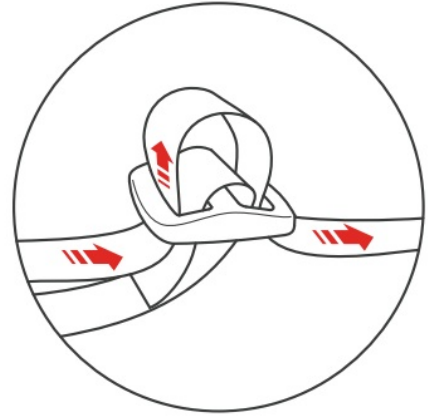
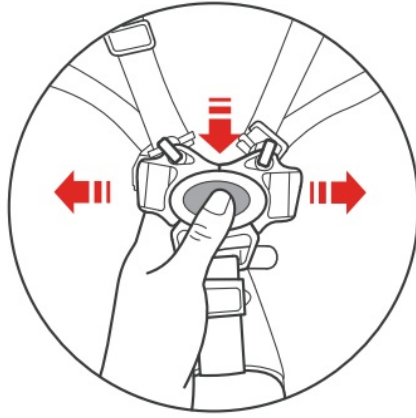
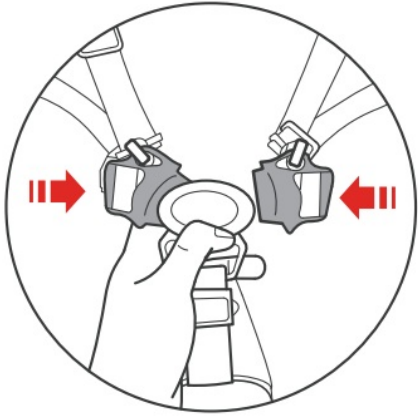
**ASSEMBLY OF THE SAFETY BUMPER**



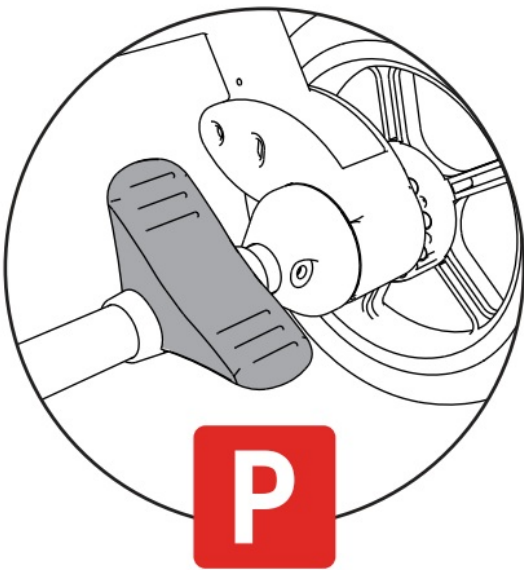
**ADJUSTING OF FOOT-REST AND BACK-REST**



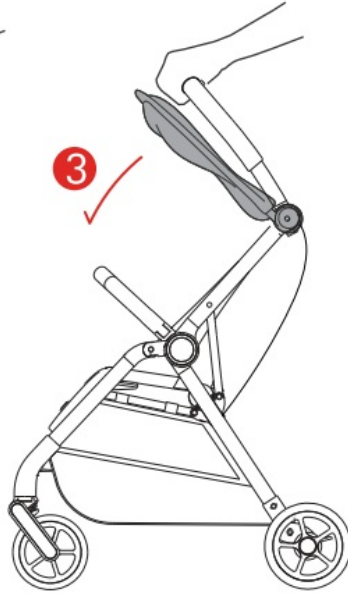
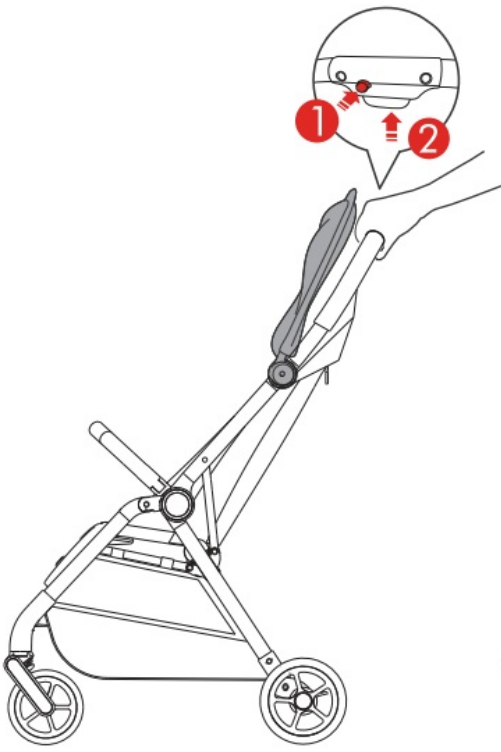
**ADJUSTING OF SAFETY-BELTS**



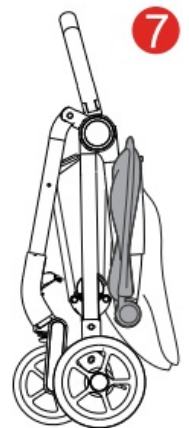
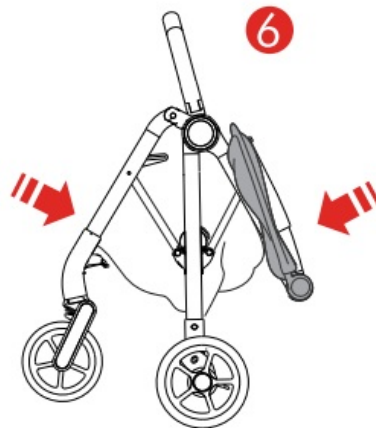
## BRAKES



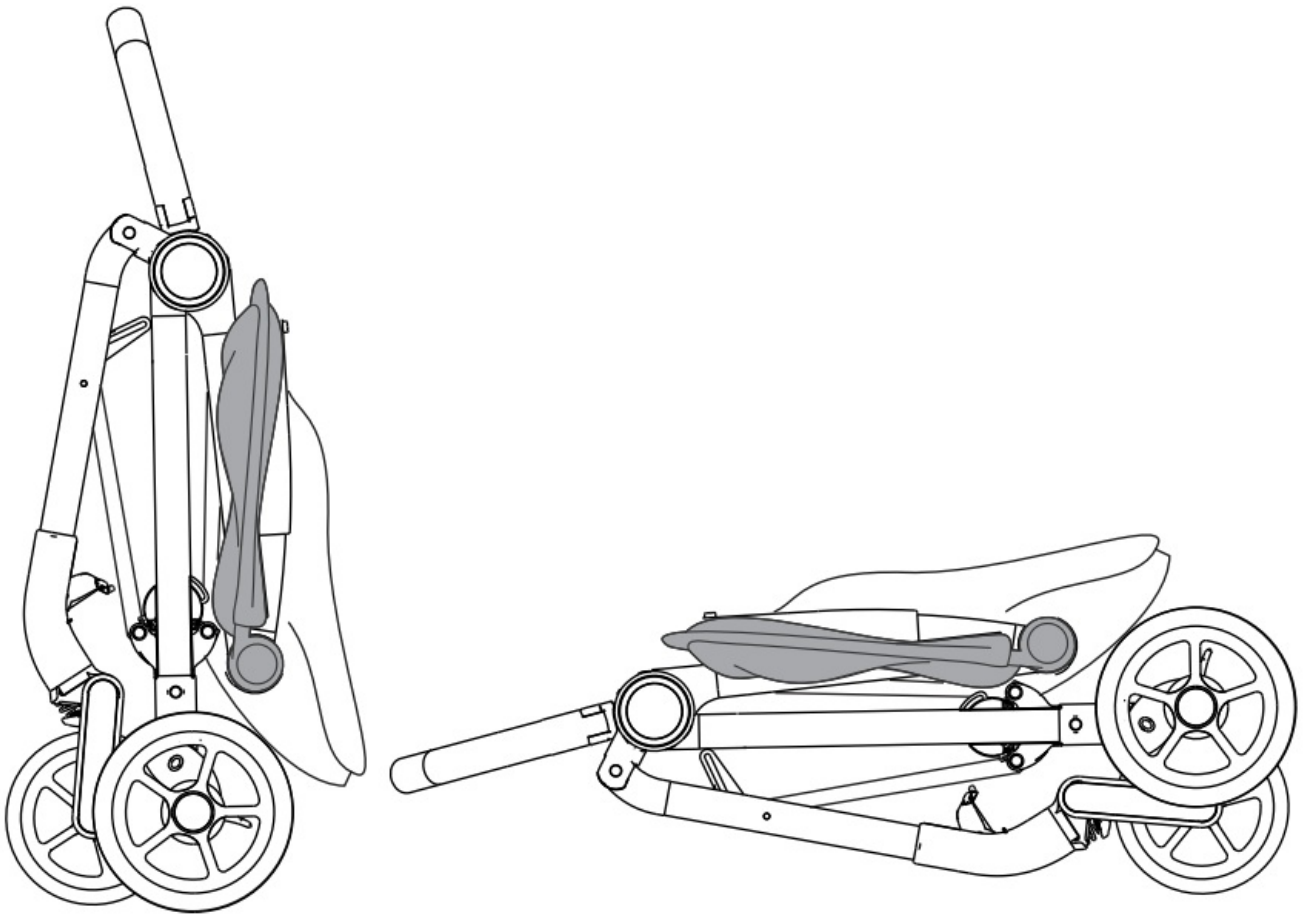
## AUTOMATIC FOLDING



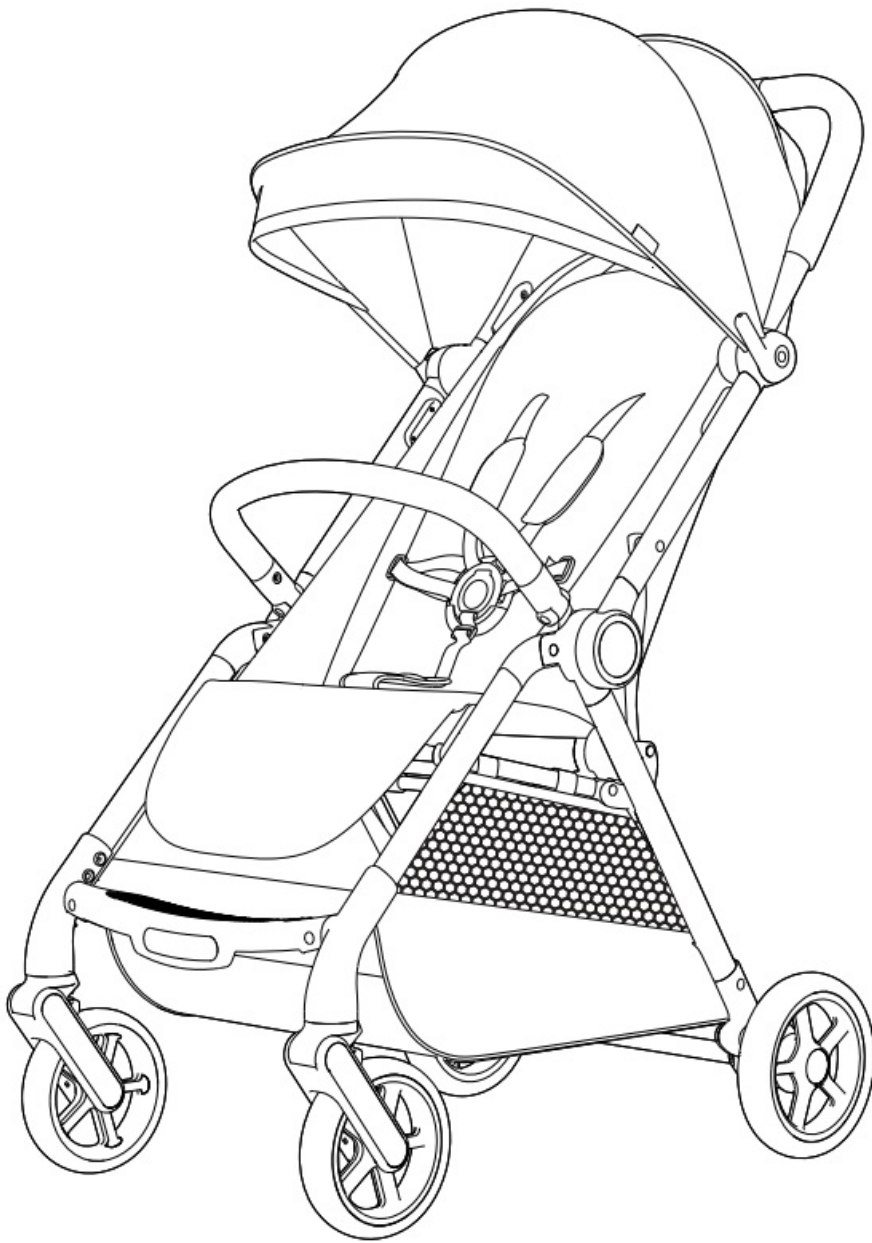
5







It is highly recommended to keep the stroller folded when not in use, so the function of the automatic folding will be better maintained.



## **Assembly Instruction**

### **Care and maintenance**

To ensure a long life of the product, we recommend cleaning the stroller and wheels at regular intervals and lubricating all moving and flexible parts with maintenance grease.

Regularly remove dirt from the stroller (especially on the wheels) to ensure the mobility and function of the stroller. Regularly check the individual parts for firm hold and function.

Use only spare parts recommended by the manufacturer.

Avoid exposing your stroller to direct sunlight or heat for long periods of time (e.g. in the car, trunk), as this may cause discoloration of the textiles.

The stroller's textiles can be cleaned with mild soapy water and warm water. Use a soft sponge or cloth. Make sure the textiles are completely dry before using or storing the stroller. Do not use chemical cleaning agents.

The frame and wheels should be kept clean. Dirt should be removed as soon as possible when the stroller is used in adverse weather conditions such as snow or rain. The frame and wheels can be wiped with a soft sponge or damp cloth. Use warm water and a mild soap solution.

### **Warning**

**IMPORTANT:** Please read carefully and be sure to save for future reference.

**WARNING:** When assembling and disassembling the stroller, folding and unfolding the stroller, make sure that the child is at a safe distance to avoid injury.

**WARNING:** Check the stroller before each use, make sure that all nodes (blocks) are securely fixed.

**WARNING:** Do not use the stroller if any of its components are damaged.

**WARNING:** Any broken or damaged parts must only be replaced with original parts provided by the manufacturer. Do not use any spare parts or accessories other than those approved by the manufacturer, otherwise the product may become unsafe.

**WARNING:** Never leave your child in or near the stroller unattended.

**WARNING:** Always use the brakes when getting your child into or out of the stroller.

**WARNING:** Always use the brakes during stops, long or short.

**WARNING:** Always use seat belts.

**WARNING:** This stroller is designed for only one child at a time.

**WARNING:** This seat unit is not suitable for children under 6 months old.

**WARNING:** This stroller is designed for children from 6 months to 48 months.

**WARNING:** The maximum weight of the child must not exceed 22 kg.

**WARNING:** The maximum load of the storage basket (under the seat) is 3 kg.

**WARNING:** Never leave the stroller with the child inside on slopes, even if the brakes are applied.

**WARNING:** Never use the stroller up and down stairs, escalators, and steep slopes.

**WARNING:** This stroller is not suitable for running or skating and/or rollerblading.

**WARNING:** The stroller is not a toy. Do not let your child play with the product.

**WARNING:** It is STRICTLY FORBIDDEN to lift and/or carry the stroller with a child inside!

**WARNING:** Avoid open sources of heat (eg fires, fireplaces, etc.) and open bodies of water (eg: swimming pools, lakes, rivers, etc.).

**WARNING:** Do not allow the child to stand on the seat or back of the stroller, as this may result in injury to the child or damage to the back or seat of the product.

**WARNING:** Always be careful of fingers and other limbs when folding and unfolding the stroller.

**WARNING:** It is forbidden to hang or place foreign objects (for example: bags, outerwear, grocery bags, etc.) on the handle or other parts of the stroller, any additional load may affect the stability of the stroller and cause it to tip over.

# carrello

## Documents / Resources

carrello	<a href="#">carrello Delta CRL-5517 Walking Stroller</a> [pdf] Instruction Manual CRL-5517, Delta CRL-5517 Walking Stroller, Delta CRL-5517, Walking Stroller, Stroller
----------	--

## References

- [User Manual](#)

## **Manuals+. Privacy Policy**

This website is an independent publication and is neither affiliated with nor endorsed by any of the trademark owners. The "Bluetooth®" word mark and logos are registered trademarks owned by Bluetooth SIG, Inc. The "Wi-Fi®" word mark and logos are registered trademarks owned by the Wi-Fi Alliance. Any use of these marks on this website does not imply any affiliation with or endorsement.